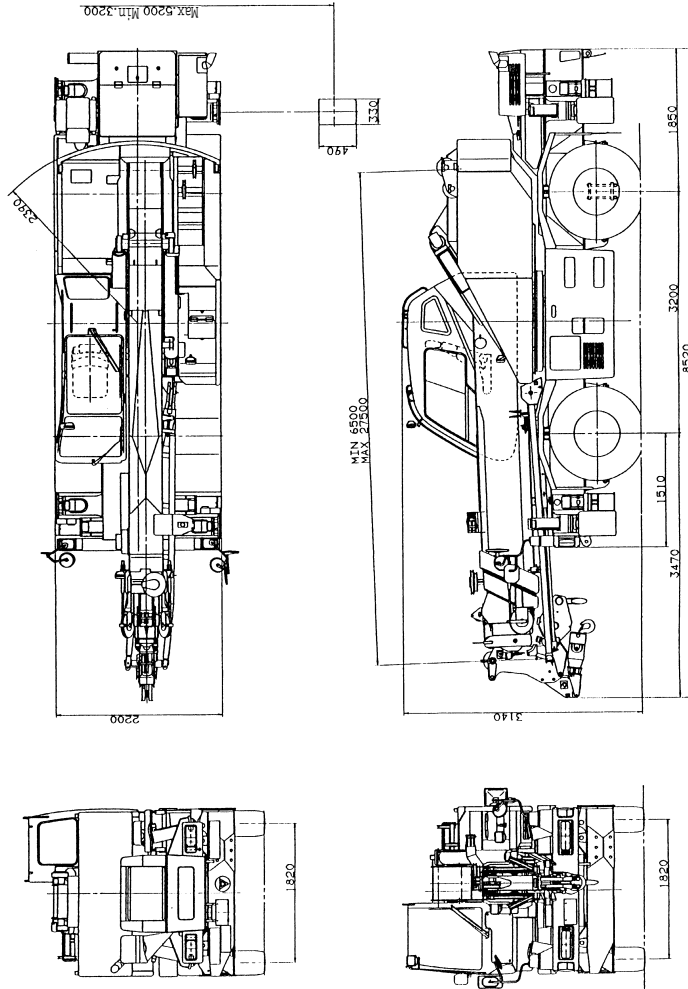
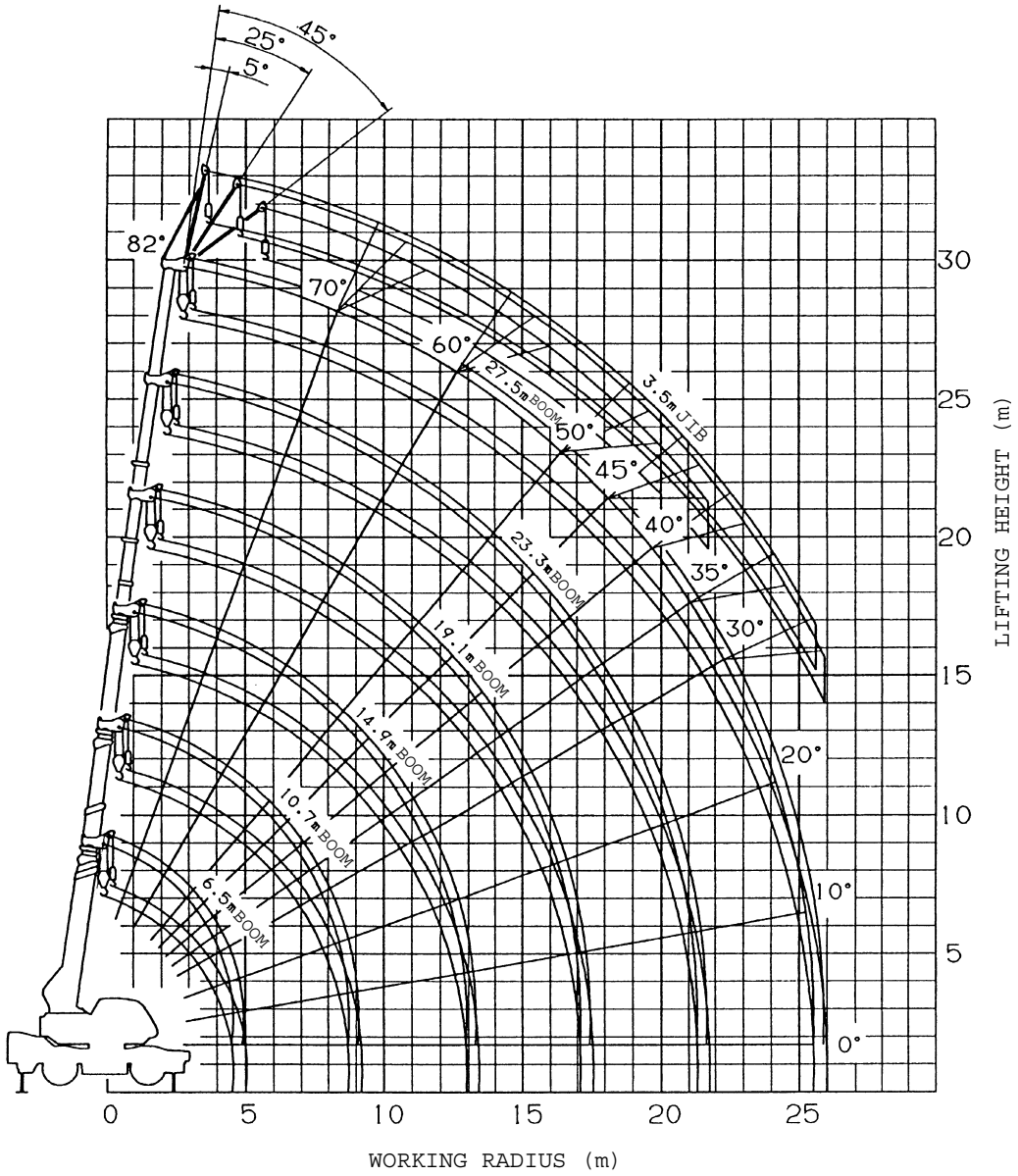


DIMENSIONS (1/100)



WORKING RADIUS - LIFTING HEIGHT



NOTES:

1. The deflection of the boom is not incorporated in the figure above.
2. The figure above is for the case where the outriggers are fully extended (360 °).

TOTAL RATED LOADS

(1) With outriggers set
[BOOM]

Unit: ton

Outriggers fully extended (5.2m)							-360 °-
A B	6.5m	10.7m	14.9m	19.1m	23.3m	27.5m	
2.5m	16.00	12.00	9.00	7.00			
3.0m	16.00	12.00	9.00	7.00			
3.5m	14.00	12.00	9.00	7.00	5.00	3.50	
4.0m	12.50	12.00	9.00	7.00	5.00	3.50	
4.5m	11.50	11.10	9.00	7.00	5.00	3.50	
5.0m		10.25	8.90	7.00	5.00	3.50	
5.5m		9.40	8.20	7.00	5.00	3.50	
6.0m		8.80	7.60	6.60	5.00	3.50	
7.0m		6.75	6.40	5.80	4.70	3.50	
8.0m		5.30	5.00	5.00	4.15	3.35	
9.0m		4.30	4.00	4.25	3.70	3.00	
10.0m		(8.7m)	3.25	3.50	3.30	2.75	
11.0m			2.65	2.95	3.00	2.50	
12.0m			2.15	2.45	2.70	2.30	
13.0m			1.80	2.05	2.30	2.10	
14.0m			(12.9m)	1.75	2.00	1.95	
15.0m				1.45	1.70	1.75	
16.0m				1.25	1.45	1.50	
17.0m				1.05	1.25	1.30	
18.0m					1.05	1.10	
19.0m					0.90	0.95	
20.0m					0.75	0.80	
22.0m					0.60	0.60	
24.0m					(21.3m)	0.45	
a (°)	0 ~ 82						

A= Boom length B= Working radius

a= Boom angle range (for the unladen condition)