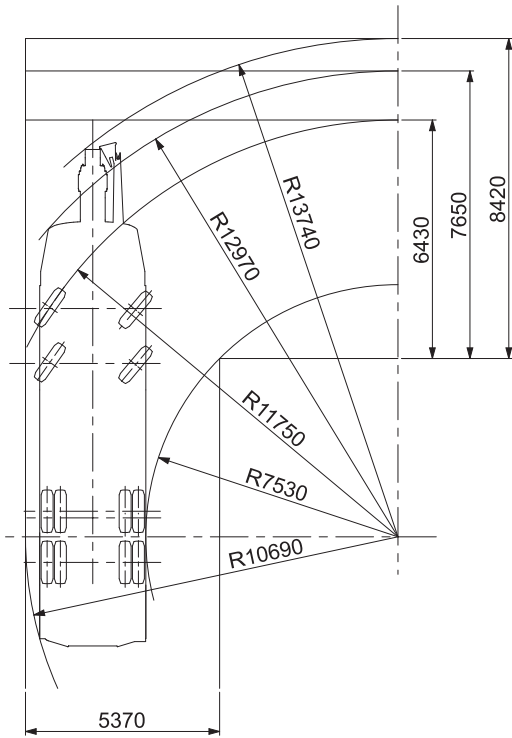
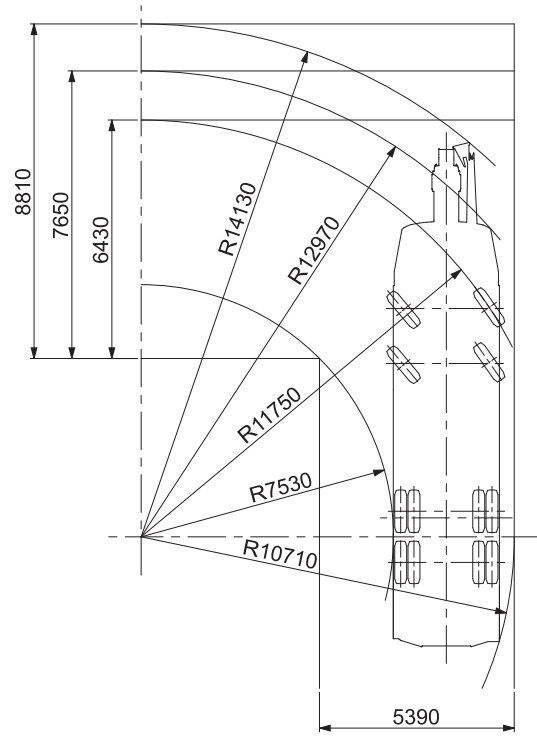


Minimum path width

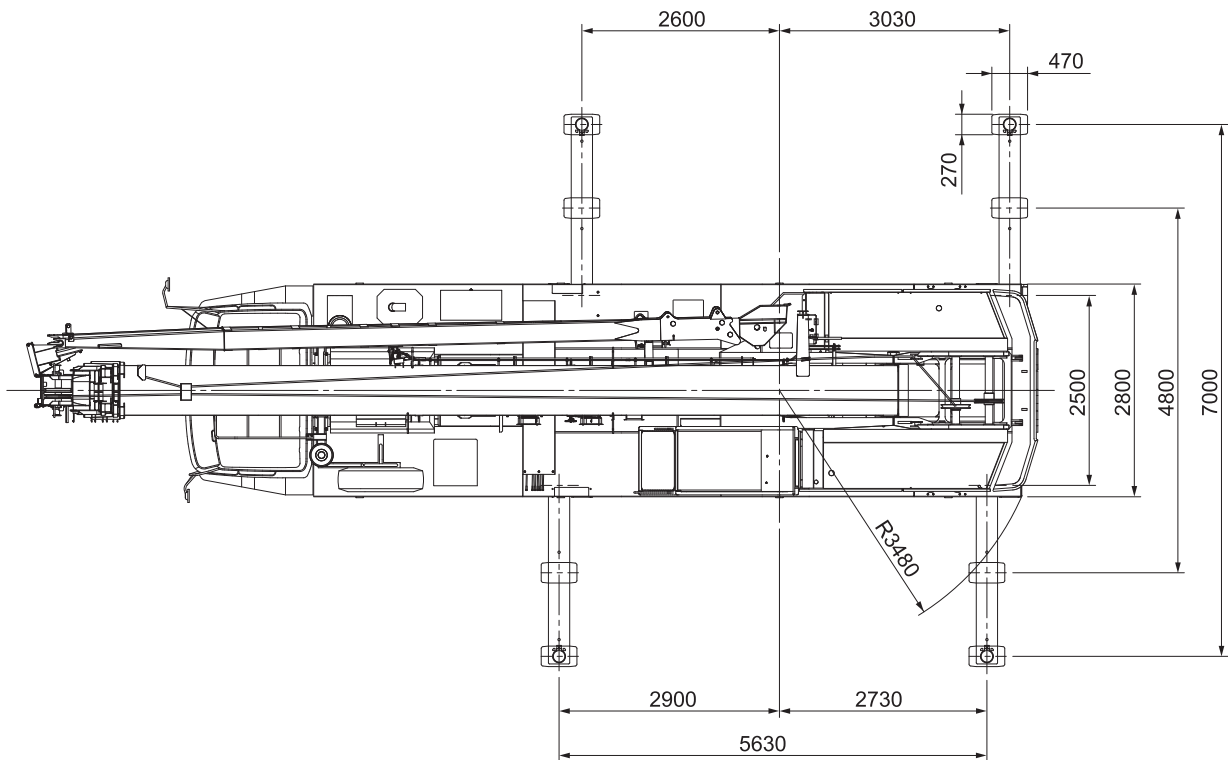
● Right turn



● Left turn

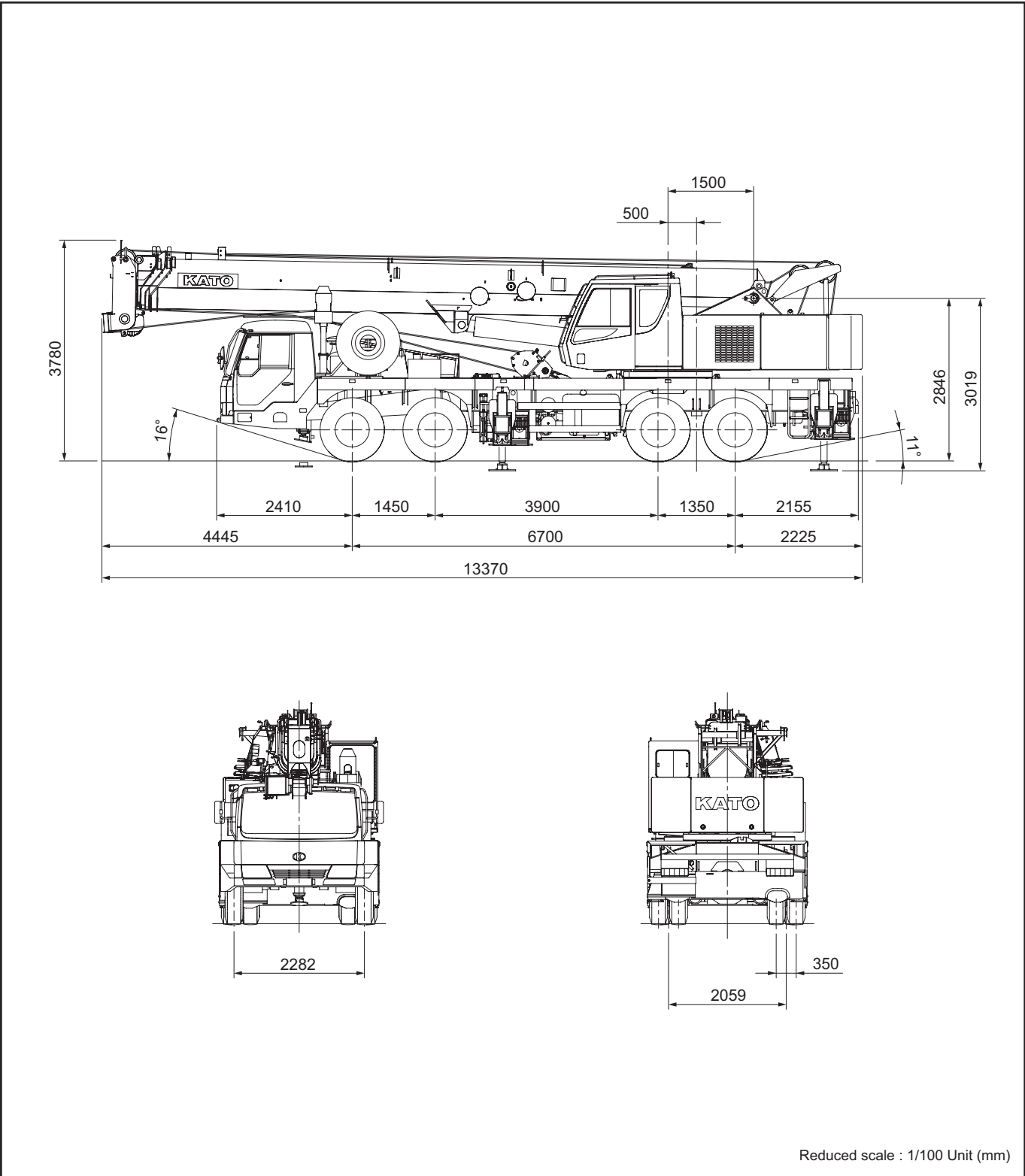


Overall view



Reduced scale : 1/100 Unit (mm)

Overall view



Reduced scale : 1/100 Unit (mm)

* KATO products and specifications are subject to improvements and changes without notice.

Address inquiries to:

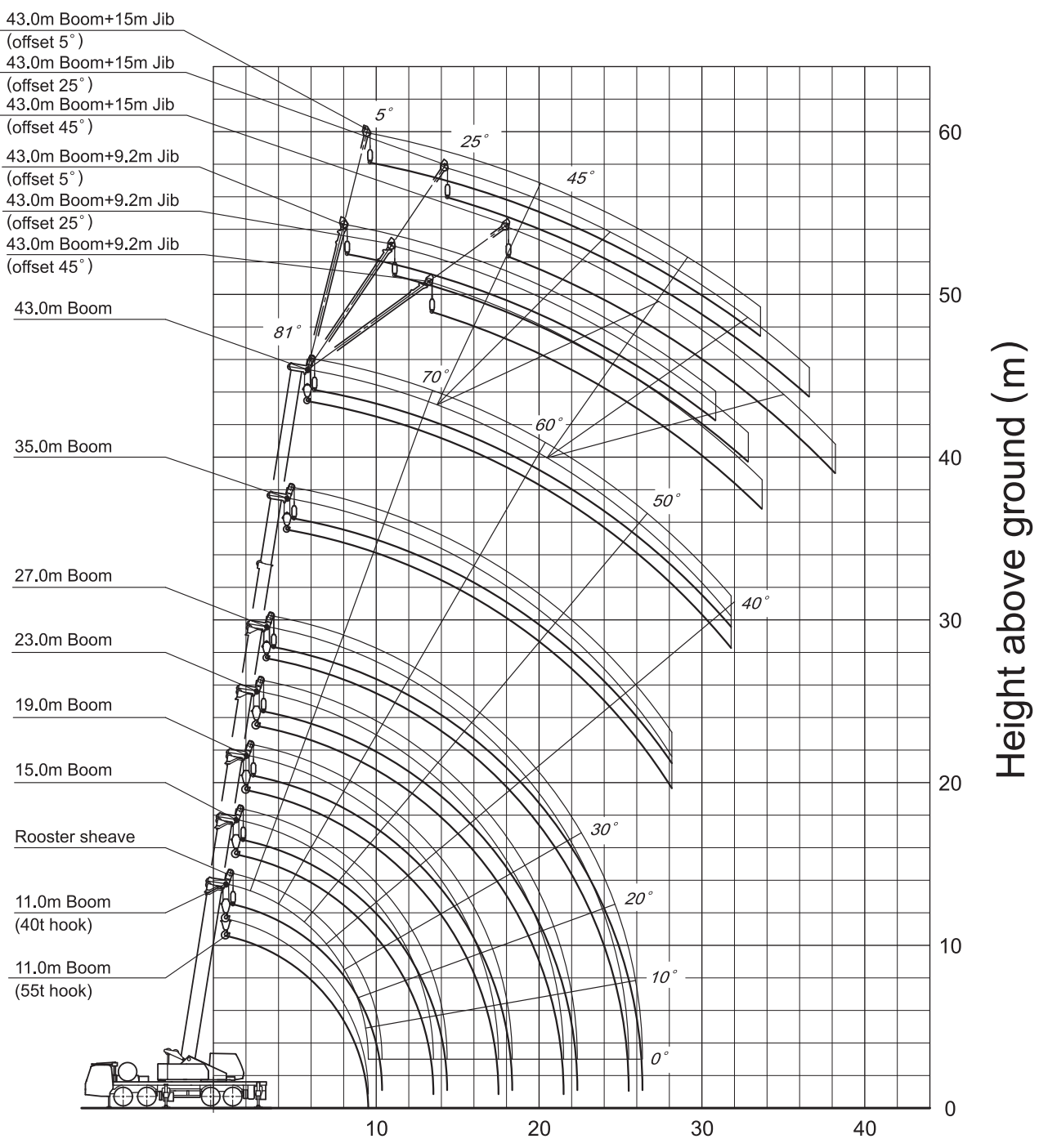
KATO
KATO WORKS CO.,LTD.
 9-37, Higashi-ohi 1-chome, Shinagawa-ku, Tokyo, 140-0011, Japan
 Tel. : Head Office Tokyo (03) 3458-1111
 Overseas Marketing Department. Tokyo (03) 3458-1115
 Fax. : Tokyo (03) 3458-1163
 URL http://www.kato-works.co.jp

C02324
 2.2013-1000(TI)4



We acquired the "ISO 9001" certification which is an international standard for quality assurance.

WORKING RANGE



Radius from center of rotation (m)

Note

1. This diagram does not include deflection of Boom and Fly jib.
2. The outriggers are fully extended.

LIFTING CAPACITIES

Based on ISO 4305
Not exceed 75% of static tipping loads

11.0 m — 43.0 m Boom

(Unit : Metric ton)

Outriggers fully extended with front jack - 360° full range									
Outriggers fully extended without front jack - over side and over rear									
Working radius (m)	11.0m Boom	11.0m Boom	15.0m Boom	19.0m Boom	23.0m Boom	27.0m Boom	35.0m Boom	43.0m Boom	
3.0	55.00	40.00	28.00	28.00	24.00				
3.5	43.70	40.00	28.00	28.00	24.00				
4.0	38.50	38.50	28.00	28.00	24.00	20.00			
4.5	34.20	34.20	28.00	28.00	24.00	20.00			
5.0	30.80	30.80	28.00	28.00	24.00	20.00			
5.5	27.80	27.80	27.40	27.20	24.00	20.00	14.00		
6.0	25.40	25.40	25.00	24.80	24.00	20.00	14.00		
6.5	23.20	23.20	22.80	22.60	22.50	20.00	14.00	8.00	
7.0	21.40	21.40	21.00	20.80	20.60	19.60	14.00	8.00	
7.5	19.70	19.70	19.30	19.10	19.00	18.00	14.00	8.00	
8.0	17.90	17.90	17.75	17.50	17.30	17.25	14.00	8.00	
8.5	16.20	16.20	15.90	15.70	15.50	15.45	13.80	8.00	
9.0	14.60	14.60	14.40	14.15	14.00	13.90	13.60	8.00	
10.0			11.90	11.65	11.50	11.45	12.30	8.00	
11.0			10.00	9.75	9.60	9.50	10.40	7.80	
12.0			8.40	8.15	8.10	8.00	8.85	7.10	
13.0			7.15	6.90	6.80	6.75	7.55	6.65	
14.0				5.90	5.80	5.75	6.50	6.15	
16.0				4.30	4.20	4.10	4.95	5.35	
18.0					3.00	2.95	3.75	4.20	
20.0					2.10	2.05	2.80	3.30	
22.0						1.30	2.10	2.55	
24.0						0.75	1.50	2.00	
26.0							1.05	1.50	
28.0							0.65	1.05	
30.0								0.70	
31.0								0.50	
Standard hook	for 40 ton + sub hook sheave	for 40 ton				for 20 ton			
Hook mass	450 + 150 kg	450 kg				320 kg			
Parts of line	14	10	8	8	6	5	4	4	
Critical boom angle	—	—	—	—	—	—	33°	40°	

421-75103000

(Unit : Metric ton)

Outriggers intermediately extended without front jack - 360° full range								
Outriggers fully extended without front jack - over front								
Working radius (m)	11.0m Boom	15.0m Boom	19.0m Boom	23.0m Boom	27.0m Boom	35.0m Boom	43.0m Boom	
3.0	32.00	28.00	28.00	24.00				
3.5	32.00	28.00	28.00	24.00				
4.0	32.00	28.00	28.00	24.00	20.00			
4.5	29.00	28.00	28.00	24.00	20.00			
5.0	22.00	21.90	21.50	21.40	20.00	14.00		
5.5	17.30	17.20	16.90	16.80	16.70	14.00		
6.0	14.10	14.00	13.70	13.60	13.50	14.00	8.00	
6.5	11.80	11.65	11.35	11.30	11.20	12.30	8.00	
7.0	10.00	9.85	9.55	9.50	9.45	10.45	8.00	
7.5	8.55	8.40	8.15	8.10	8.05	9.00	8.00	
8.0	7.40	7.25	7.00	6.95	6.90	7.85	8.00	
9.0	5.70	5.55	5.30	5.25	5.20	6.05	6.50	
10.0		4.25	4.00	3.90	3.85	4.75	5.20	
11.0		3.20	2.95	2.90	2.80	3.70	4.20	
12.0		2.40	2.20	2.10	2.05	2.90	3.40	
13.0		1.80	1.55	1.45	1.40	2.25	2.70	
14.0						1.70	2.15	
15.0							1.70	
Standard hook	for 40 ton				for 20 ton			
Hook mass	450 kg				320 kg			
Parts of line	8	8	8	6	5	4	4	
Critical boom angle	—	—	35°	48°	58°	64°	68°	

421-75104000