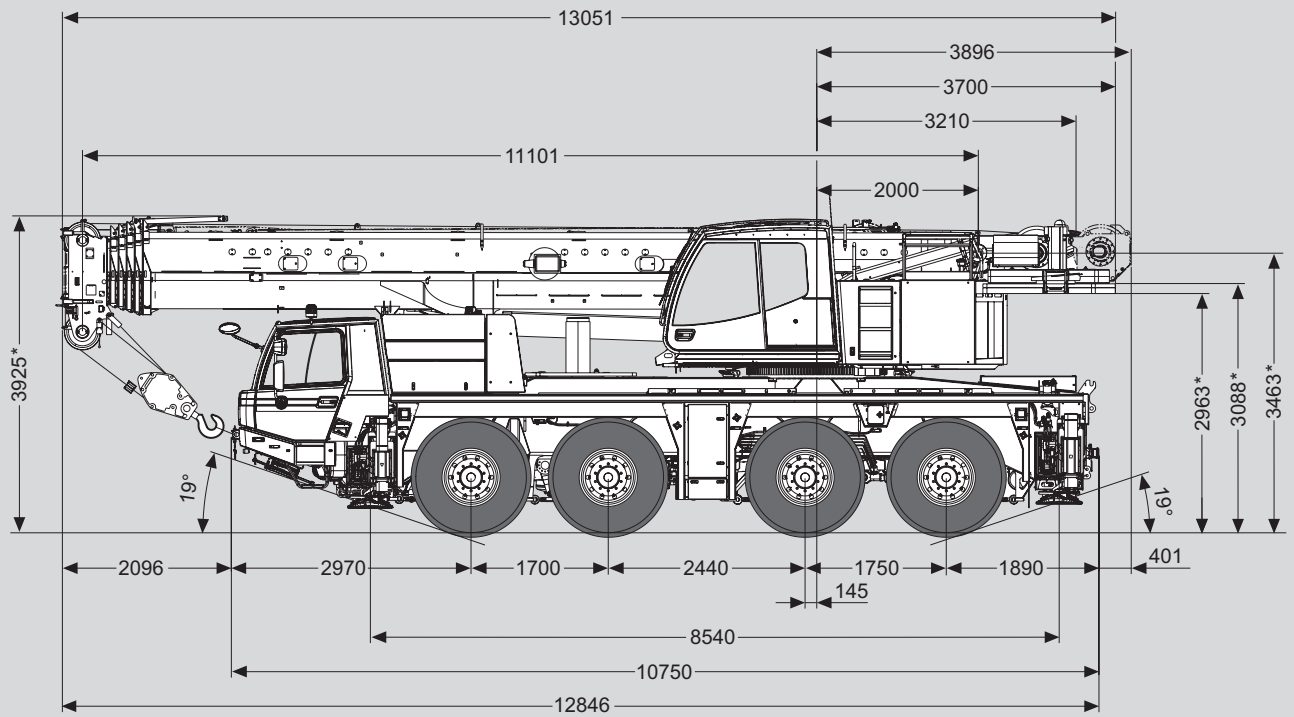


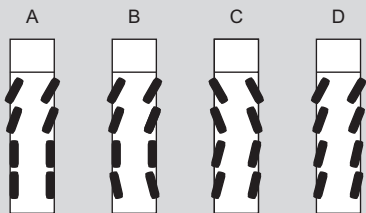
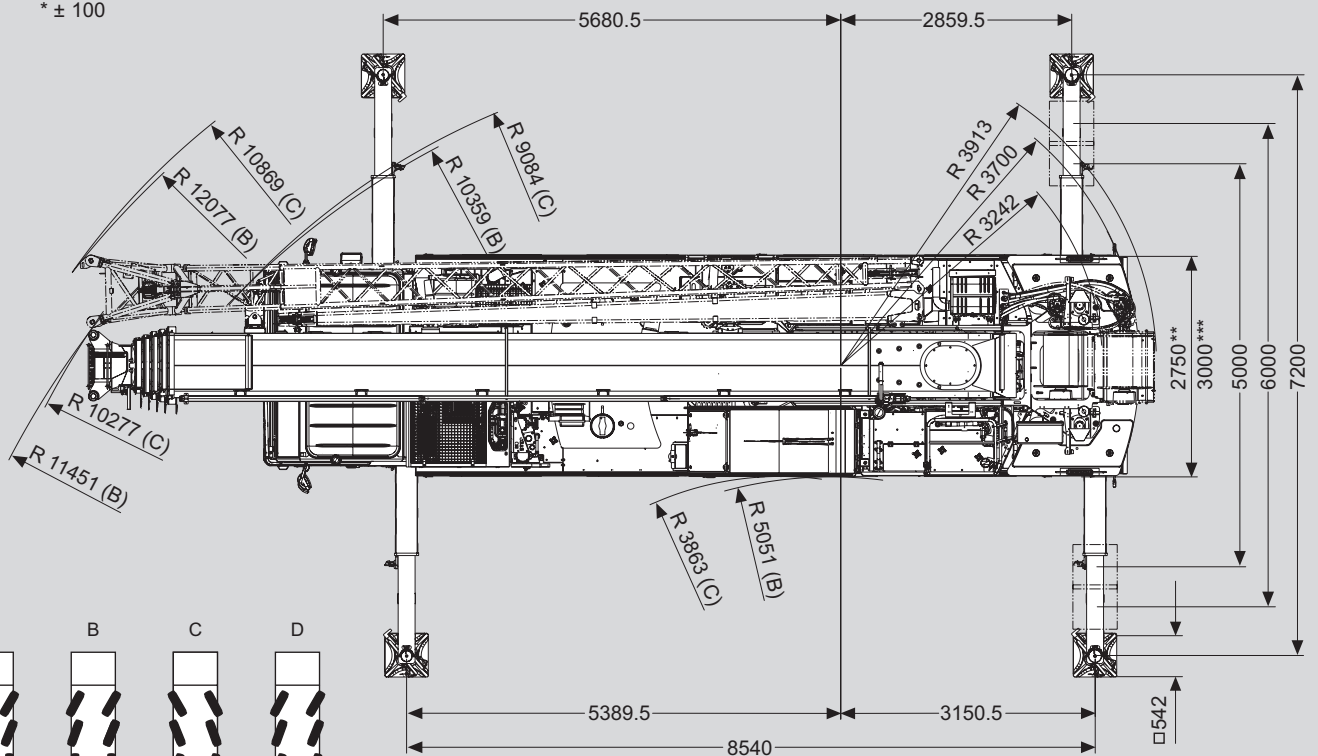
Maße (mm)
 Dimensions (mm)
 Dimensiones (mm)

445/95 R 25
 (16.00 R 25)

DIN/ISO/EN



* ± 100

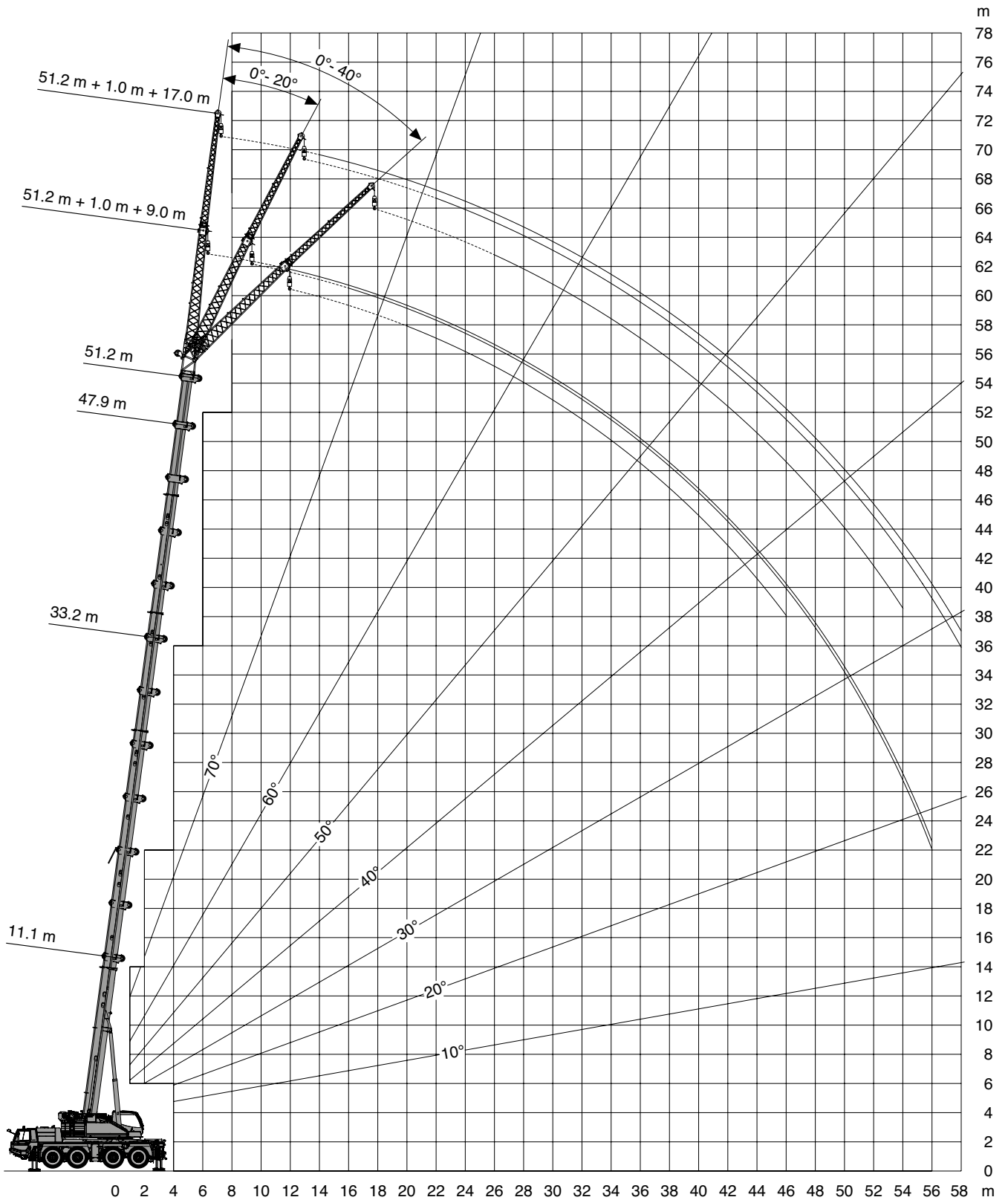
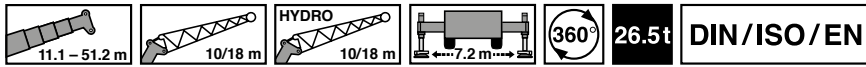


v > 25 km/h v < 25 km/h

** 385/95 R 25 (14.00 R25), 445/95 R 25 (16.00 R25)
 *** 525/80 R 25 (20.5 R25)

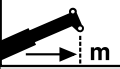
Operation · Einsatz · Utilisation
 Uso · Эксплуатация

Working range · Arbeitsbereich · Rayon de travail
 Zona de trabajo · Area di lavoro · Рабочая зона




Lifting capacities · Traglasten · Charges de levage
Cargas · Portate · Грузоподъемность



 m	11.1 m*	11.1 m	14.8 m	18.5 m	22.1 m	25.8 m	29.5 m	33.2 m	36.9 m	40.5 m	44.2 m	47.9 m	51.2 m
2.3	100.0**												
2.5	90.0**												
3.0	81.6**	73.0	65.0	65.0									
3.5	74.6	70.3	65.0	65.0	50.0								
4.0	68.6	64.4	63.5	61.4	50.0	41.3							
4.5	63.1	59.3	58.8	56.7	50.0	41.3							
5.0	58.3	54.9	54.4	52.7	50.0	39.2	31.6						
6.0	50.4	47.6	47.0	46.8	45.9	34.9	31.6	23.8					
7.0	43.8	41.7	41.2	41.3	40.8	33.0	28.9	23.8	19.7	15.8			
8.0	36.8	35.5	36.3	36.4	36.6	31.1	28.5	23.8	19.7	15.8	12.9		
9.0	24.9	24.0	32.0	32.1	32.4	29.4	28.5	22.6	19.7	15.8	12.9	10.2	
10.0			28.5	28.6	28.9	28.0	28.5	20.9	19.6	15.8	12.9	10.2	8.9
11.0			25.0	25.2	25.6	26.7	26.3	19.4	18.2	15.8	12.9	10.2	8.9
12.0			20.9	22.3	23.1	23.8	23.4	18.0	17.0	15.8	12.9	10.2	8.9
14.0				19.0	19.0	18.8	18.4	16.2	14.9	14.1	12.9	10.2	8.9
16.0				14.6	15.5	15.3	14.9	14.9	13.2	12.6	11.8	10.2	8.9
18.0					13.0	12.7	12.3	12.8	11.8	11.3	10.8	10.0	8.9
20.0					9.6	10.8	10.4	10.8	10.8	10.1	9.8	9.1	8.5
22.0						9.3	8.9	9.3	9.5	8.7	8.9	8.4	7.6
24.0							7.8	8.1	8.3	8.1	8.2	7.8	6.9
26.0							7.3	7.0	7.2	7.3	7.2	6.8	6.2
28.0								6.2	6.7	6.4	6.3	6.0	5.6
30.0								5.7	5.9	5.7	5.5	5.2	5.1
32.0									5.3	5.1	4.9	4.6	4.6
34.0									4.8	4.5	4.4	4.1	4.0
36.0										4.0	3.9	3.6	3.6
38.0										3.6	3.4	3.1	3.1
40.0											3.1	2.8	2.7
42.0											2.7	2.4	2.4
44.0												2.1	2.1
46.0													1.8
48.0													1.6



 m	11.1 m*	11.1 m	14.8 m	18.5 m	22.1 m	25.8 m	29.5 m	33.2 m	36.9 m	40.5 m	44.2 m	47.9 m	51.2 m
2.3	100.0**												
2.5	90.0**												
3.0	81.6**	76.1**	65.0	65.0									
3.5	74.6	69.9	65.0	65.0	50.0								
4.0	68.3	64.1	63.5	61.4	50.0	41.3							
4.5	62.7	59.0	58.5	56.7	50.0	41.3							
5.0	57.8	54.6	54.0	52.7	50.0	39.2	31.6						
6.0	50.0	47.2	46.6	46.8	45.9	34.9	31.6	23.8					
7.0	42.5	41.2	40.7	40.8	40.8	33.0	28.9	23.8	19.7	15.8			
8.0	36.6	35.5	35.4	35.5	35.8	31.1	28.5	23.8	19.7	15.8	12.9		
9.0	24.9	24.0	31.2	31.4	31.6	29.4	28.5	22.6	19.7	15.8	12.9	10.2	
10.0			26.7	26.9	27.3	28.0	27.0	20.9	19.6	15.8	12.9	10.2	8.9
11.0			22.7	23.4	24.7	24.9	24.0	19.4	18.2	15.8	12.9	10.2	8.9
12.0			20.0	21.9	21.9	21.7	21.3	18.0	17.0	15.8	12.9	10.2	8.9
14.0				17.2	17.3	17.0	16.6	16.2	14.9	14.1	12.9	10.2	8.9
16.0				14.0	14.1	13.8	13.4	13.9	13.0	12.6	11.8	10.2	8.9
18.0					11.7	11.5	11.1	11.5	11.7	10.8	10.8	10.0	8.9
20.0					9.6	9.7	9.3	9.7	9.9	9.5	9.5	9.1	8.5
22.0						8.3	8.4	8.3	8.5	8.6	8.4	8.1	7.6
24.0							7.8	7.2	7.7	7.4	7.3	7.0	6.9
26.0							6.9	6.5	6.7	6.5	6.3	6.0	6.0
28.0								6.0	5.9	5.7	5.5	5.2	5.2
30.0								5.3	5.2	5.0	4.8	4.5	4.5
32.0									4.7	4.4	4.3	3.9	3.9
34.0									4.2	3.9	3.7	3.4	3.4
36.0										3.5	3.3	3.0	3.0
38.0										3.1	2.9	2.6	2.6
40.0											2.6	2.2	2.2
42.0											2.3	1.9	1.9
44.0												1.7	1.6
46.0													1.4
48.0													1.2

* Over rear · Nach hinten · A l'arrière · Hacia atrás · Indietro · Назад

** With additional lifting equipment · Mit Zusatzhubausrüstung · Avec équipement de levage supplémentaire

Con equipamiento de elevación adicional · Con attrezzaggio di sollevamento supplementare · С дополнительным подъемным оборудованием