

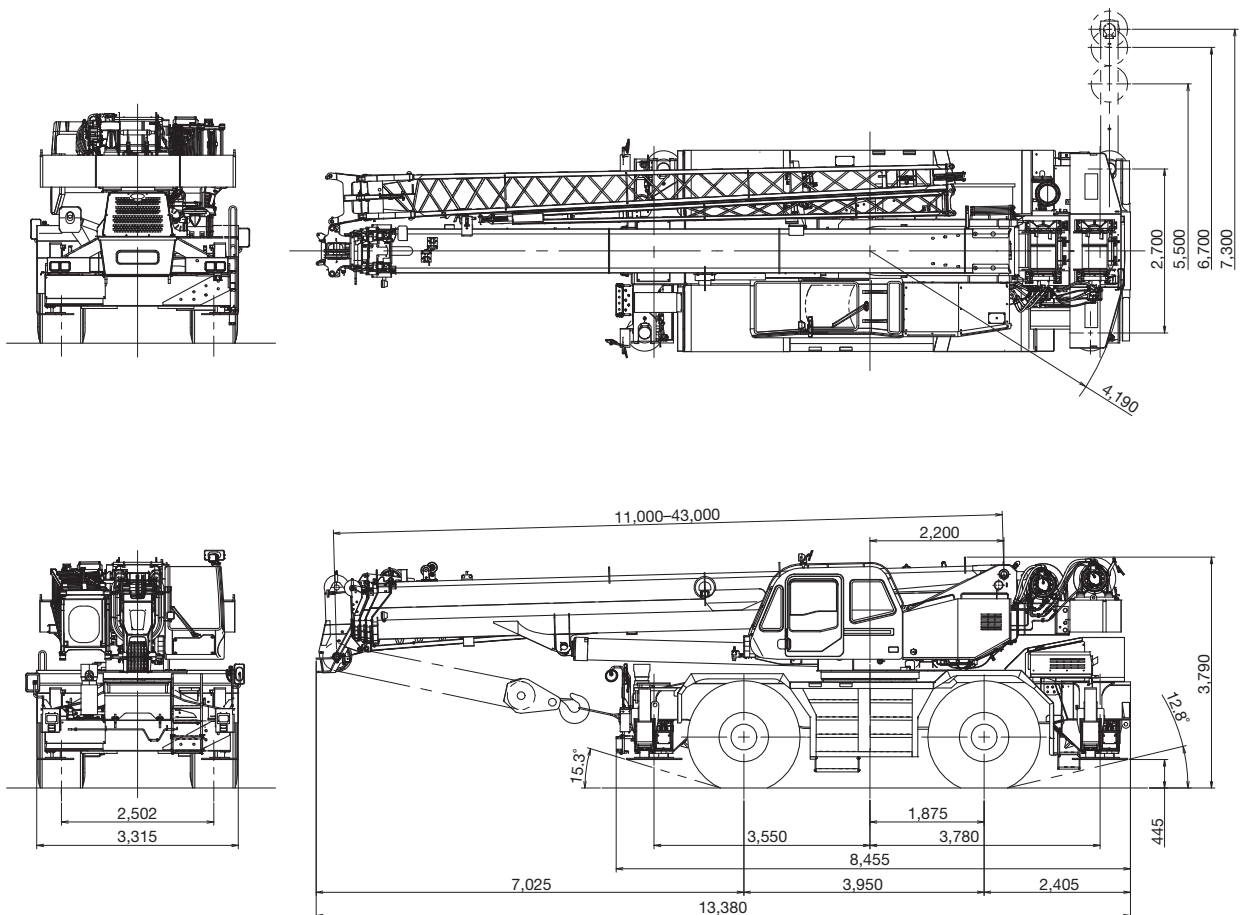
GR-600EX

(Left-hand drive)
60 Ton Capacity

SPEC. SHEET NO. GR-600E-3-00102/EX-03

HYDRAULIC ROUGH TERRAIN CRANE

DIMENSIONS



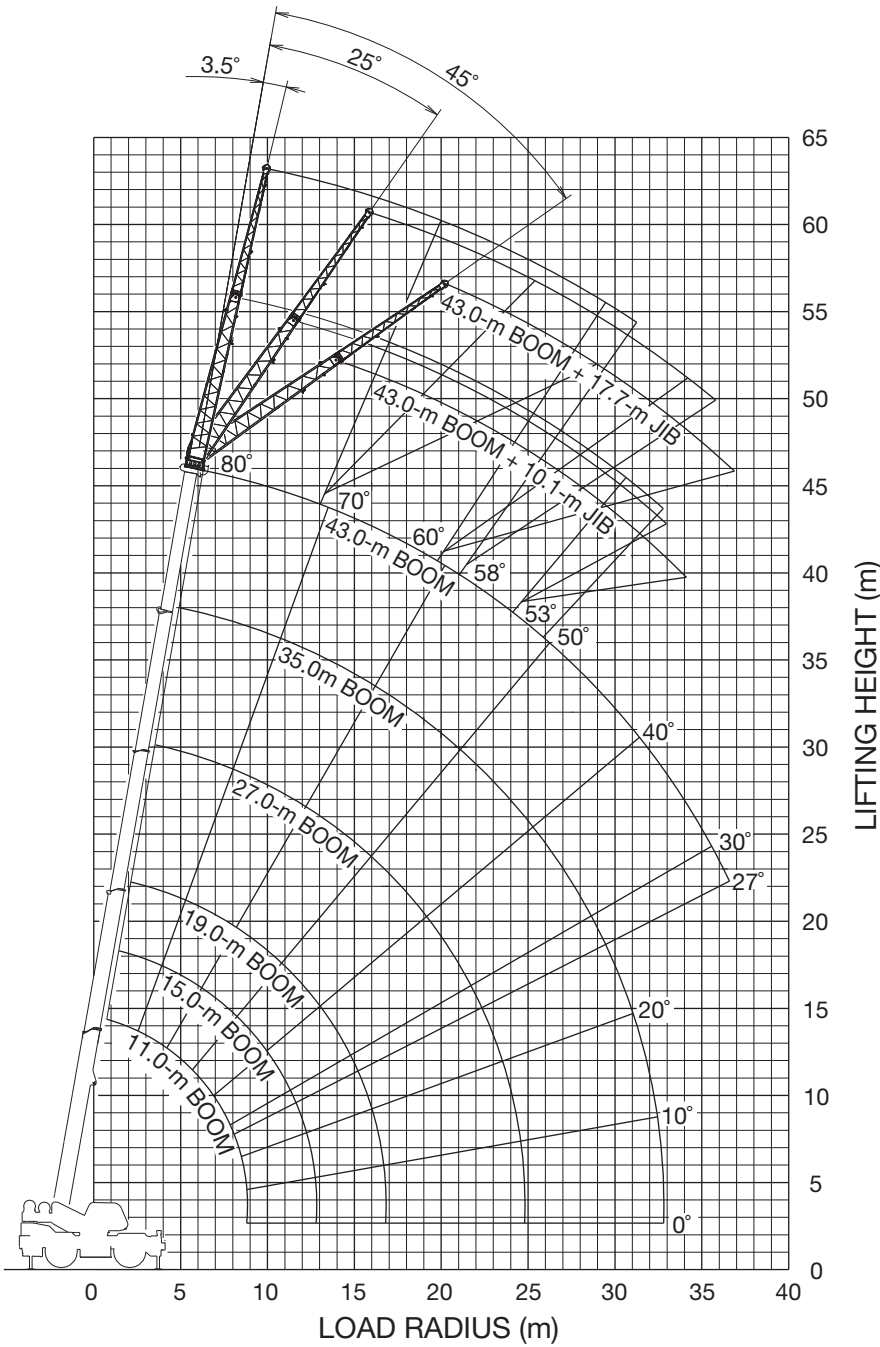
Note : Dimension is with boom angle at -1.6 degree.

GENERAL DIMENSIONS

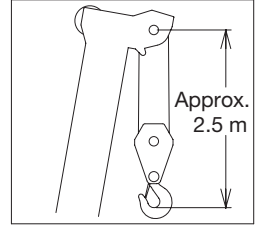
Turning radius (29.5 - 25 Tires)		Overall length	approx. 13,380 mm
4 wheel steer	6.8 m	Overall width	approx. 3,315 mm
2 wheel steer	11.9 m	Overall height	approx. 3,790 mm

GR-600EX WORKING RANGE CHART

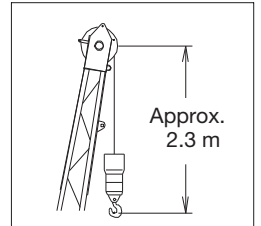
Telescoping mode I



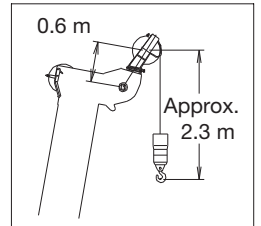
BOOM



JIB

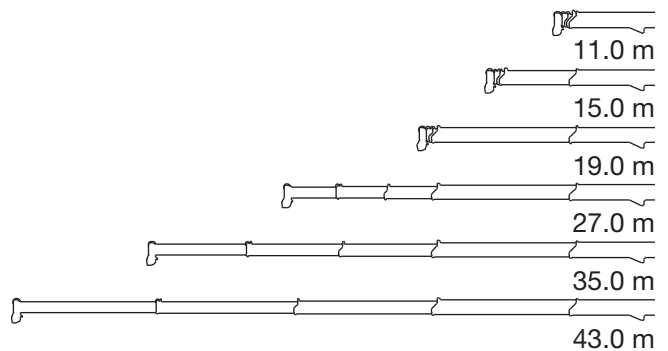


SINGLE TOP



The above lifting height and boom angle are based on a straight (unloaded) boom and machine standing level on firm supporting surface. Allowance should be made for boom deflection obtained under loaded conditions. The above working range is shown on condition with outriggers fully (7.3 m) extended.

Boom Length



GR-600EX RATED LIFTING CAPACITIES

ON OUTRIGGERS FULLY EXTENDED 7.3 m SPREAD 360° ROTATION (Unit: ×1000 kg)													
B \ A	11.0 m		15.0 m		19.0 m		27.0 m		35.0 m		39.0 m		43.0 m
	C	C	C	C	C	C	C	C	C	C	C	C	C
3.0	68	60.0	74	40.8	78	32.0	78	22.0					
3.5	65	54.9	72	40.8	76	32.0	76	22.0					
4.0	62	53.8	70	40.8	75	32.0	75	22.0					
4.5	59	47.7	68	40.8	73	32.0	73	22.0	78	22.0	78	17.0	
5.0	56	42.8	66	40.8	72	32.0	72	22.0	77	21.3	77	17.0	
5.5	52	38.7	64	37.5	70	32.0	70	22.0	76	20.3	76	17.0	
6.0	48	35.3	61	34.6	68	31.9	68	22.0	75	19.4	75	17.0	
6.5	44	32.4	59	32.0	67	30.3	67	22.0	74	18.6	74	16.2	
7.0	39	29.9	57	29.6	65	28.8	65	22.0	73	17.8	73	15.6	
7.5	34	27.7	54	27.4	64	25.8	63	22.0	72	17.7	72	14.9	
8.0	28	25.7	52	24.9	62	23.2	61	22.0	71	17.6	71	14.4	
8.5	20	22.6	49	22.0	60	21.0	60	22.0	70	17.5	70	13.9	
9.0			47	19.5	58	19.1	58	21.7	68	17.4	69	13.4	
10.0			40	15.8	54	15.3	54	17.8	66	15.7	66	12.4	
11.0			34	13.0	50	12.6	50	15.0	64	13.6	64	11.5	
12.0			25	10.9	46	10.5	46	12.8	62	11.6	62	10.6	
14.0					36	7.6	36	9.7	56	8.6	56	9.3	
16.0					22	5.5	21	7.5	51	6.5	51	7.9	
18.0									45	5.0	45	6.4	
20.0									39	3.9	38	5.2	
22.0									30	3.1	29	4.3	
24.0									17	2.4	17	3.6	
26.0											40	2.2	
28.0											34	1.7	
30.0											27	1.3	
32.0											16	1.0	
34.0													
36.0													
D	0°												27°

Telescoping conditions (%)

Telescoping Mode	I, II	I	I	II	I	II	I	II	II	I, II
2nd boom	0	50	100	0	100	0	100	0	50	100
3rd boom	0	0	0	33	33	66	66	100	100	100
4th boom	0	0	0	33	33	66	66	100	100	100
Top boom	0	0	0	33	33	66	66	100	100	100

LIFTING CAPACITIES AT ZERO DEGREE BOOM ANGLE ON OUTRIGGERS FULLY EXTENDED 7.3 m SPREAD 360° ROTATION (Unit: ×1000 kg)																			
C \ A	11.0 m		15.0 m		19.0 m		27.0 m		35.0 m		39.0 m								
	B	B	B	B	B	B	B	B	B	B	B	B	B						
0°	8.8	13.6	12.9	7.5	16.9	4.8	16.8	6.2	24.9	2.1	24.6	3.4	32.9	0.9	32.7	1.7	36.3	0.8	
Telescoping Mode	I, II		I		I		II		I		II		I		II		II		

ON OUTRIGGERS MID EXTENDED 6.7 m SPREAD OVER SIDE (Unit: ×1000 kg)													
B \ A	11.0 m		15.0 m		19.0 m		27.0 m		35.0 m		39.0 m		43.0 m
	C	C	C	C	C	C	C	C	C	C	C	C	C
3.0	68	59.6	75	40.8	78	32.0	78	22.0					
3.5	65	53.3	72	40.8	76	32.0	76	22.0					
4.0	62	48.0	70	40.8	75	32.0	75	22.0					
4.5	59	43.5	68	40.8	73	32.0	73	22.0	78	22.0	79	17.0	
5.0	56	39.7	66	39.5	71	32.0	71	22.0	77	21.3	77	17.0	
5.5	52	36.4	64	36.2	70	32.0	70	22.0	76	20.3	77	17.0	
6.0	48	33.5	62	33.3	68	31.8	68	22.0	75	19.4	75	17.0	
6.5	44	31.0	59	30.8	67	27.9	66	22.0	74	18.6	74	16.2	
7.0	40	28.8	57	27.4	65	24.8	65	22.0	73	17.8	73	15.6	
7.5	34	25.5	54	24.4	63	22.2	63	22.0	72	17.7	72	14.9	
8.0	28	22.3	52	21.6	61	20.0	61	22.0	71	17.6	71	14.4	
8.5	20	19.7	49	19.0	59	18.1	60	20.9	70	17.4	70	13.9	
9.0			47	17.0	58	16.5	58	19.1	68	16.0	69	13.4	
10.0			41	13.7	54	13.3	54	15.7	66	13.7	66	12.4	
11.0			34	11.3	50	11.0	50	13.2	64	11.9	64	11.5	
12.0			25	9.4	45	9.1	46	11.3	62	10.2	62	10.6	
14.0					38	6.5	36	8.6	56	7.5	57	8.9	
16.0					21	4.7	21	6.7	51	5.7	51	7.0	
18.0									45	4.4	45	5.7	
20.0									38	3.4	38	4.6	
22.0									30	2.6	29	3.8	
24.0									17	1.9	16	3.2	
26.0											40	2.4	
28.0											34	1.4	
30.0											27	1.0	
32.0											17	1.6	
34.0													
D	0°												30°

Telescoping conditions (%)

Telescoping Mode	I, II	I	I	II	I	II	I	II	II	I, II
2nd boom	0	50	100	0	100	0	100	0	50	100
3rd boom	0	0	0	33	33	66	66	100	100	100
4th boom	0	0	0	33	33	66	66	100	100	100
Top boom	0	0	0	33	33	66	66	100	100	100

LIFTING CAPACITIES AT ZERO DEGREE BOOM ANGLE ON OUTRIGGERS MID EXTENDED 6.7 m SPREAD OVER SIDE (Unit: ×1000 kg)																			
C \ A	11.0 m		15.0 m		19.0 m		27.0 m		35.0 m		39.0 m								
	B	B	B	B	B	B	B	B	B	B	B	B	B						
0°	8.8	13.5	12.9	7.5	16.8	4.2	16.8	6.1	24.9	1.7	24.6	3.0	32.8	0.6	32.7	1.4	36.4	0.6	
Telescoping Mode	I, II		I		I		II		I		II		I		II		II		

- A: Boom length (m)
- B: Load radius (m)
- C: Loaded boom angle (°)
- D: Minimum boom angle (°) for indicated boom length (no load)